

THE COVERING

The following covering materials may be used on our sofas:

Leather,
Microfibre,
Fabric

There may be more stitches when the sofa is leather covered (**Fig. A**), compared to the same model with a fabric or microfiber covering. (**Fig. B**)

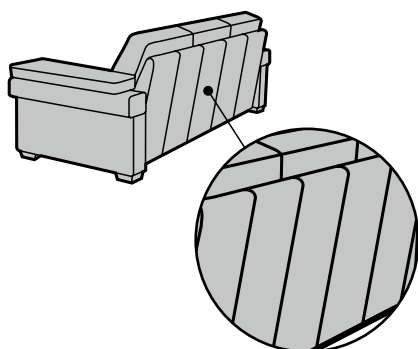


Fig. A

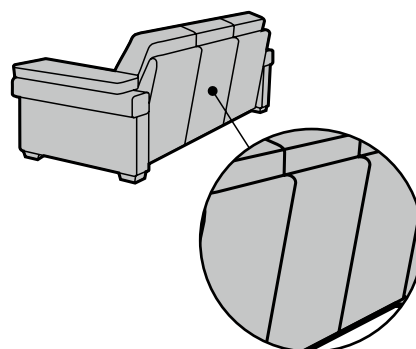


Fig. B

Furthermore, depending on the structure of the fabric, the type of stitching may differ, or in some cases, there may be no border.

TAKING CARE OF THE LEATHER COVERING

We recommend you read the instructions that follow carefully if you have purchased a leather sofa, paying particular attention to the description of the leather family that you have selected ('Protecta' or 'Natural') and the advice for the care, maintenance and relative warnings for this particular covering.

Natural leather is a noble and resistant material, which becomes more valuable with time. Leather offers an ideal level of comfort both during the hot months and the cold months thanks to its properties of transpiration and flexibility; moreover, leather transmits a pleasant feeling of a warm embrace by adhering perfectly to the shape of the body. Each hide has its own story that can be read by the natural signs impressed on the surface, such as scars, lines, insect bites, stretch marks, veining, differences in grain and colour.

This is the reason our craftsmen check the hides one by one and process them in a different way to enhance their natural characteristics, obtaining superior hides suited to different domestic uses.

PROTECTA LEATHER

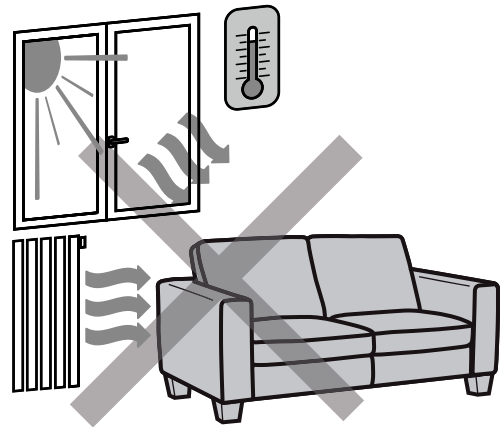
Protecta leather is the result of production processes that confer protection and high performance to the leather. A thin finishing layer protects the leather from stains, without altering its original characteristics. The Protecta leather products combine the advantages of natural qualities and softness with good resistance to wear and changes of colour. The presence of distinctive marks that tell the story of the animal's life, such as healed scars, grain differences, wrinkles, veining, differences in colour shades and any other sign that nature has left on these hides, prove they are absolutely genuine and bears witness to their great worth.

Cleaning the Protecta leather collection

- Periodically dust using a clean, dry and non-abrasive white cloth.
 - For stains caused by soft drinks, coffee, tea, milk, chocolate, oil, fat, cosmetics, foundation cream: remove the stain rapidly from the surface, by dabbing with absorbent cloth or paper. Then, delicately rub working from the outside towards the centre of the stain using a cloth soaked in a water and mild white soap solution. Do not soak the leather surface, and dry the surface immediately using a clean cloth.
- Do not dry the leather in direct sunlight or with a hair dryer.**

WARNING

- Avoid exposing the sofa to direct sunlight or to powerful lamps to ensure the colour of the covering remains bright.
- The above listed causes, as well as the use of unapproved detergent substances, may irreparably damage the leather covering, causing cracks and changes in colour.
- If you purchase a new sofa, with a covering that is an identical article and/or is of the same colour as the sofa that you already own, it is possible that you may note slight differences in shades of colour between the two, because of the unique personality of each hide.



NATURAL LEATHER

The Natural leather products are processed without changing the original characteristics of the hides. The presence of healed scars, differences in grain, wrinkles, veining, differences in colour shades and any trace that nature has left on these hides, is proof that they are absolutely genuine and bears witness to their great worth.

Cleaning the Natural leather collection

- Periodically dust using a clean, dry and non-abrasive white cloth.
- For dry dirt: brush delicately using a brush with soft bristles or use a vacuum cleaner at the medium suction power setting, using the specific accessory supplied with the cleaner and taking care to avoid rubbing the accessory directly against the covering.
- For stains caused by substances soluble in water (soft drinks, coffee, tea, milk, jam): rapidly remove the liquid from the surface using a white, non-abrasive cloth (or absorbent paper). Then rub delicately working from the outside of the stain towards the centre, using a clean cloth soaked in water. Dry immediately with a clean cloth. Do not soak the leather surface, and dry immediately using a dry cloth. Do not dry the leather in direct sunlight or with a hair dryer.
- For stains caused by greasy substances (oil, ketchup, mayonnaise, chocolate): remove the substance delicately from the surface using absorbent paper, taking care not exert pressure to prevent the dirt from entering the pores of the leather. Use a clean cloth, soaked in a very dilute solution of neutral soap, rubbing delicately working from the outside towards the centre of the stain.
- Dry immediately with a clean cloth. Only use water and colourless, mild soap.

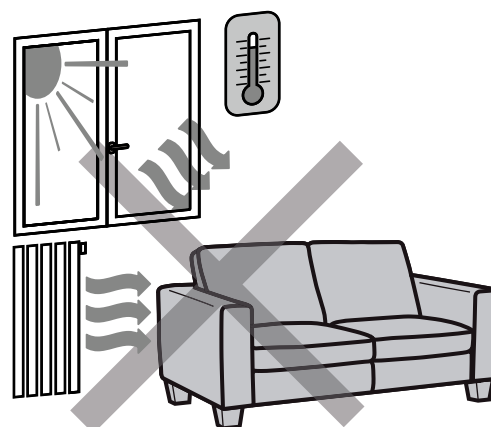
Cleaning the Natural Nabuk leather collection

The Natural Nabuk leather products also belong to the family of Natural products, they therefore have all the natural characteristics described previously. The “nabuk effect” is the result of a very light polishing, adopted to give the leather a velvet effect referred to as nabuk.

- These leather products can be cleaned using the same procedures described for the Natural leather products (see to the side).
- Rub very delicately using thin abrasive paper after the leather has been cleaned and dried, to restore the Nabuk effect.

WARNING

- Position the sofa at least 50 cm. from sources of heat such as heaters or radiators.
- Avoid exposing the sofa to direct sunlight or to powerful lamps to ensure the colour of the covering remains bright.
- The above listed causes, as well as the use of unapproved detergent substances, may irreparably damage the leather covering, causing cracks and changes in colour.
- If you purchase a new sofa, with a covering that is an identical article and/or is of the same colour as the sofa that you already own, it is possible that you may note slight differences in shades of colour between the two, because of the unique personality of each hide.



A number of natural characteristics that you will find on your 'Protecta' or 'Natural' leather covered sofa are listed below:



Low grain



Open scar



Closed scar



Grain difference



Insect bites



Wrinkle



Veining



Differences in shade

TAKING CARE OF THE MICROFIBRE AND FABRIC COVERING

We select the best coverings to cover our sofas, as fabrics are produced by the most important suppliers in the world, so they represent the ideal balance between quality and Italian style and are able to combine softness and practicality. All the articles are subjected to demanding quality tests such as the Martindale test, by which it is possible to determine their resistance to wear and tear. If you have purchased a sofa with a fabric or a microfibre covering we ask that you read the following instructions, focusing in particular on the recommendations concerning the care and maintenance of your category of covering (cleaning code A and C) **Fig. A**.

You will also be able to find the latter information on the label under the seat cushions if the covering is removable or under the sofa, if the covering is fixed.

Symbols to follow to properly clean the covering:



Do not wash in water



Wash using water (Max 30°C)



Wash using water (Max 40°C)



Dry clean using perchloroethylene
(delicate articles setting on the washing machine programme)



Dry clean using perchloroethylene



Dry clean using Fluorocarbon



Iron at a temperature not exceeding 100°C
Avoid using steam



Iron at a temperature not exceeding 150°C



Iron at a temperature not exceeding 200°C



Do not iron



Do not use chlorine bleach



Do not tumble dry

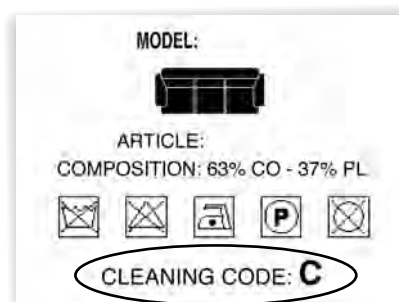


May be tumble dried
(low heat setting)



May be tumble dried
(normal setting)

Fig. A



CO	Cotton
SE	Silk
LI	Linen
PA	Polyamide
PC	Acrylic
PL	Polyester
PU	Polyurethane
VI	Viscose
AC	Acetate

THE MICROFIBRE

Microfibre is a type of synthetic fabric obtained by very dense weaving particularly resistant to abrasion and wear and tear that make the covering both practical and elegant.

Cleaning code "A" – Microfibre coverings

The following instructions must be followed to remove stains from the microfibres, depending on the type of stain:

LIQUEURS

Dab with absorbent paper or a white, non-abrasive cloth and then remove the stain. Wash using only colourless, mild soapsuds, obtained by shaking the container vigorously, if the stain persists. Then remove the stain using only 10% denatured alcohol diluted in water.

Dry immediately with warm air using a hair dryer. Direct the jet of warm air from the outside working towards the centre of the damp area.

SOFT DRINKS/WINE

Dab with absorbent paper or a white, non-abrasive cloth and then remove the stain. Remove the stain using only a solution of one part vinegar to one part water if the stain persists. Then wash using only colourless, neutral soapsuds obtained by shaking the container vigorously. Finally dab the soapsuds with a cloth dampened with water. Dry immediately with warm air using a hair dryer. Direct the jet of warm air from the outside working towards the centre of the damp area.

COFFEE/TEA

Dab with absorbent paper or a white, non-abrasive cloth and then remove the stain. If the stain persists, wash using only colourless, mild soapsuds, obtained by shaking the container vigorously. Then remove the stain using only a solution of 10% ammonia diluted in water. Dry immediately with warm air using a hair dryer. Direct the jet of warm air from the outside working towards the centre of the damp area.

BEER

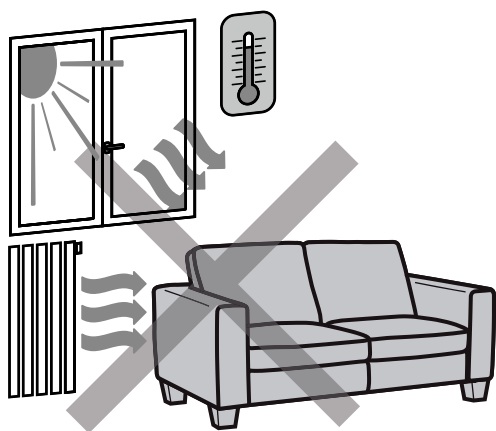
Dab with absorbent paper or a white, non-abrasive cloth and then remove the stain. If the stain persists, remove the stain using only warm water (max 40°C / 104°F) diluted with 3% denatured alcohol in water. Dry immediately with warm air using a hair dryer. Direct the jet of warm air from the outside working towards the centre of the damp area.

OIL

Dab with absorbent paper or a white, non-abrasive cloth and then remove the stain. Wash the stain using only colourless, mild soapsuds, obtained by shaking the container vigorously. Absorb the stain as much as possible using absorbent paper. Remove the stain using a white, non-abrasive cloth dampened only with perchloroethylene, if the stain persists. Absorb as much of the stain as possible with absorbent paper. Dry immediately with warm air using a hair dryer. Direct the jet of warm air from the outside working towards the centre of the damp area.

WARNING

- Position the sofa at least 50 cm. from sources of heat such as heaters or radiators.
- Avoid exposing the sofa to direct sunlight or to powerful lamps to ensure the colour of the covering remains bright.
- To remove dust, brush delicately using a brush with soft bristles or use a vacuum cleaner with the medium power output setting using the most suitable accessory supplied with the cleaner and taking care not to rub the accessory directly against the covering.
- To maintain the aesthetic appearance it is advisable to treat each stain immediately before it becomes absorbed excessively: this will avoid prolonged or abrasive treatments being required.
- If it is found necessary to use solvents, avoid applying the solvents directly on the stain. Pour the solvent onto a clean cloth: each treatment should first be tested on a hidden area of the sofa covering.
- Clean the stain using a circular movement, working from the outside towards the centre.
- Always take care to rub each stain delicately.
- If you purchase a new sofa, with a covering that is an identical article and/or has the same colour as a sofa that you already own, it is possible that you may note slight differences in shades of colour between the two.



THE FABRIC COVERING

There are two types of washing process for our fabrics: dry cleaning and washing in water.

Dry cleaning is an operation which foresees cleaning the covering material using organic solvents. The process includes cleaning, rinsing and drying. It is essential to iron the covering by following the ironing instructions shown on the label after the washing phase.

Specialist dry cleaners must be used when the covering requires dry cleaning.

Washing in water is an operation which foresees cleaning the fabric covering in water.

The process includes cleaning, rinsing and drying. After washing it is essential to iron the covering by following the ironing instructions shown on the label.

When the covering is washed in water, it is necessary to pay attention to the maximum washing temperature indicated on the sofa label.

WARNING

- Fabrics to be dry cleaned must not be washed in water under any circumstance and fabrics to be washed in water must not be dry cleaned under any circumstance. This operation would not enable the fabrics to be subsequently refitted.

Cleaning category "C" coverings

LIQUEURS, SOFT DRINKS, WINE, COFFEE, TEA, BEER AND OIL

Dab with absorbent paper or a white, non-abrasive cloth and then remove the stain. If the stain persists, clean using a dry stain remover that can be purchased from any supermarket. We recommend that the fabric's reaction be tested on a part of the covering that is hidden before using the stain remover. It is advisable to use a specialised laundry service in the case of large or persistent stains.

WARNING

- Position the sofa at least 50 cm. from sources of heat such as heaters or radiators.
- Avoid exposing the sofa to direct sunlight or to powerful lamps to ensure the colour of the covering remains bright.
- To remove dust, brush delicately using a brush with soft bristles or use a vacuum cleaner at a medium power output setting using the most suitable accessory supplied with the cleaner and taking care not to rub the accessory directly against the covering.
- To maintain the aesthetic appearance it is advisable to treat each stain immediately, before it is absorbed excessively: this will avoid prolonged or abrasive treatments being required.
- If it is found necessary to use solvents, avoid applying the solvents directly on the stain. Pour the solvent onto a clean cloth: each treatment should first be tested on a hidden area of the sofa covering.
- Clean the stain by adopting a circular movement, working from the outside towards the centre.
- Always take care to rub each stain delicately.
- If you purchase a new sofa, with a covering that is an identical article and/or has the same colour as a sofa that you already own, it is possible that you may note slight differences in shades of colour between the two.

